

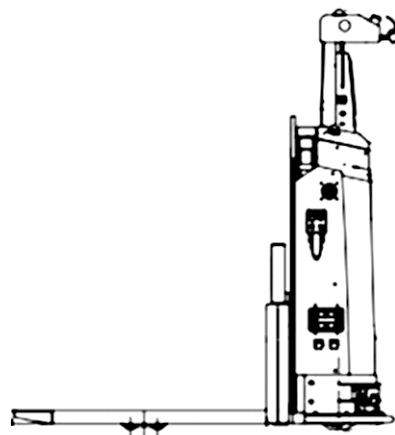
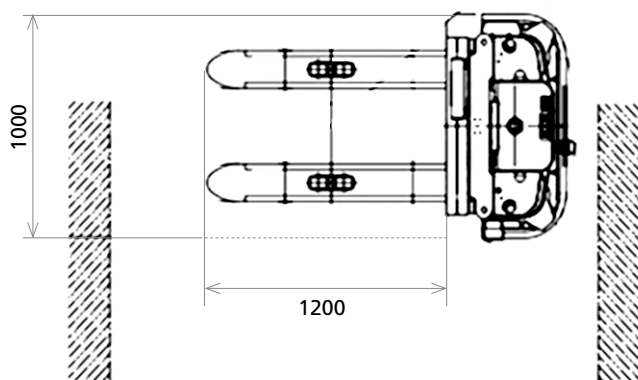
# MODEL SERIES AMR ROBOVISION

The high-lift AMR RoboVision is an autonomous pallet transport vehicle with 3D SLAM navigation.



AMR ROBOVISION	
Dimensions	
Length	1642 mm
Width	994 mm
Height	2150 mm
Lifting height	1600-3000 mm
Weight	1000 kg
Payload	
Load capacity	1400 kg
Move	
Speed	1,0 m/s Full load, 1,3 m/s Empty load
Move	Bi-directional
Optional Accessories	
Accessories	Visual Camera Navigation (QR Codes), Pallet scan camera (QR codes), RFID (detect pallets), UWB Safe system, AMR dashcam
Safety	
Safety devices	3x Laser Scanner Protection + Non-Contact Sensor
Power	
Battery	LiFePO4 / 24 V / 180 Ah
Charger	Charging station 24 V / 100 A
Navigation	
Type of navigation	3D SLAM
Environment	
IP class	IP 20
Ambient temperature range	-20-45 °C

## Dimensions of the basic configuration



ENVIRONMENTAL REQUIREMENT	
Min. Stacking Aisle Width	2100 mm
Min. Turning Aisle Width	1850 mm
Working Temperature	-20°C až 45°C
Working Humidity	20-95%
Ground Flatness	± 5 mm/m <sup>2</sup>
Max. Climbing Ability	5% (3°)
Max. Groove Width	20 mm
Max. Step Height	10 mm



ServisControl s.r.o.  
 Ovčáry 299, 280 02 Ovčáry  
 ☎ +420 311 240 072 | ✉ agv@serviscontrol.cz  
[www.serviscontrol.cz](http://www.serviscontrol.cz)