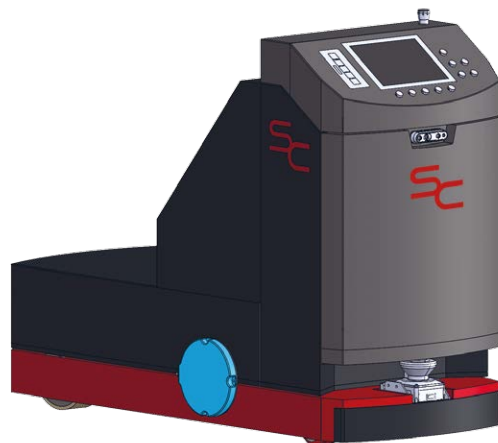


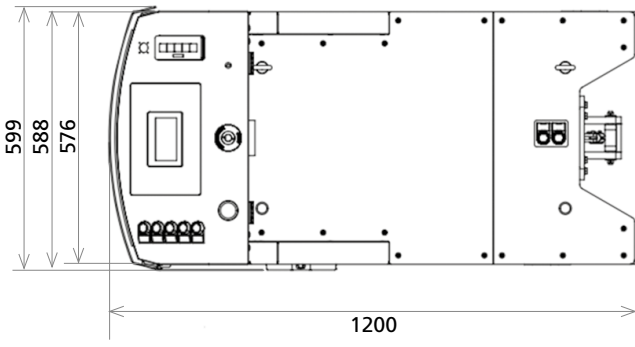
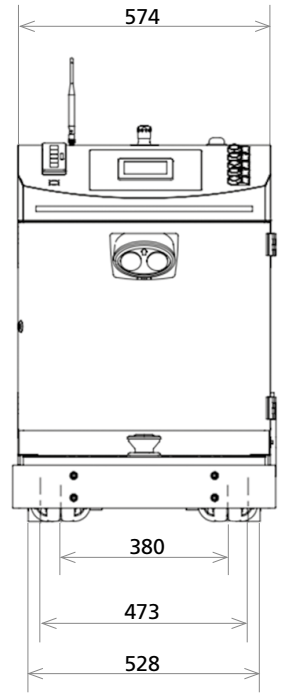
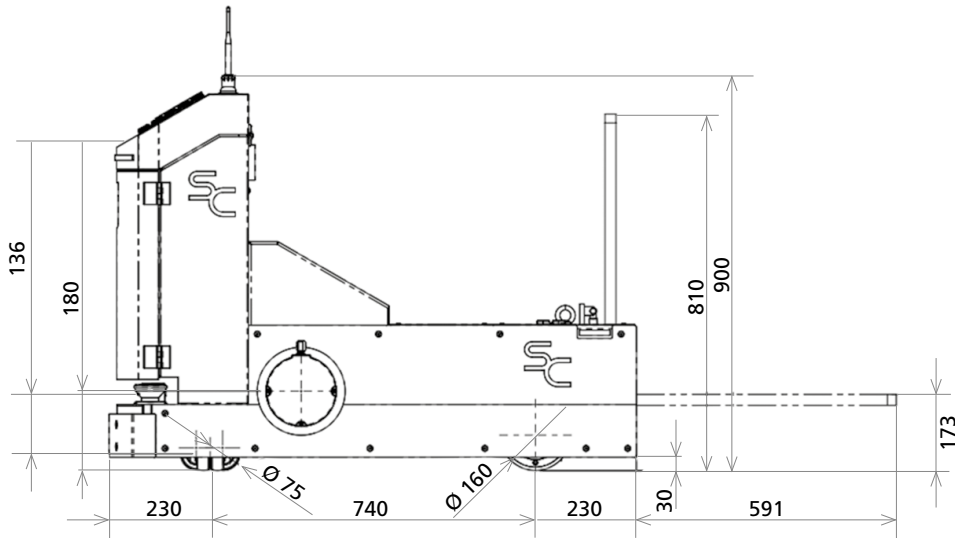
MODEL SERIES AGV/AMR ROBOTRUCK

The AGV/AMR of the RoboTruck model series is an autonomous vehicle intended for hauling sets of wagons, produced in various modifications for a given customer application.

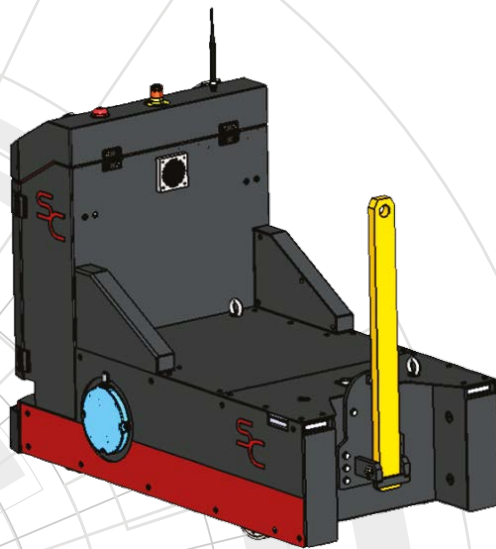


AGV/AMR ROBOTRUCK	
Dimensions	
Length	1200 mm
Width	600 mm
Height	900 mm
Clearance height	30 mm
Weight	225 kg (325 kg with additional load)
Payload	
Towing capacity	3000 kg (5000 kg with additional load)
Move	
Speed	1,2 m/s
Move / Drive	Bidirectional / Differential
Customer extension	
Extension	Yes
Type extension	Automatic hitch
Safety	
Safety devices	1 scanner 270°
Power	
Battery	LiFePO4 / 48 V / 80 Ah
Charger	Wireless charging station 48 V / 20 A
Navigation	
Type of navigation	Magnetic tape / SLAM / QR Code
Environment	
IP class	IP 20
Ambient temperature range	10-45 °C

Dimensions of the basic configuration



AGV/AMR RoboTruck can be designed exactly according to the needs of the customer. AGV/AMRs can be retrofitted with automatic train coupling.



ServisControl s.r.o.
 Ověčary 299, 280 02 Ověčary
 +420 311 240 072 | agv@serviscontrol.cz
www.serviscontrol.cz